



The smart display for optimized tank measurement.

The Honeywell Enraf SmartRadar FlexLine establishes a new level of precision and flexibility in tank inventory measurement. SmartView is the ideal companion for the SmartRadar FlexLine, offering clear data viewing, high level diagnostic information, local configuration, either at ground level, on the radar itself, or both. The easily viewable display is backlit with five keys. Navigation is simple and intuitive, making the configuration a breeze. The display can be an internal part of the SmartRadar FlexLine and is available in two stand alone versions either as a tank side indicator or as a portable tool. The SmartView is intrinsically safe and suitable for use in hazardous environments. Ground level indication reduces the frequency of tank climbing and as a result increases site safety. The SmartView can be used as W&M approved visualization of the product level measured by the SmartRadar FlexLine.

Technical specifications

Display

Type : LCD graphic display 64 x 128 dots

Mechanical

Keyboard : 5 key touch panel

Dimensions (w x h x d) : 247 mm x 266 mm x 100 mm (9 3/4" x 10 7/16" x 3 15/16")

Weight : 5 kg (11 lb)

Cable entry : M20 or 3/4" NPT

Environmental

Ambient temperature : -25 °C to +65 °C (-13 °F to +149 °F)

Protection class : IP66 / IP67, according to EN-IEC 60529 (NEMA 4)

Safety : Explosion proof

- Zone 1 Ex Ia IIB T4 according to IEC Ex

- II 2G Ex ia IIB T4 according to ATEX

- Class I, Division 1, Groups C and D, according to ANSI NFPA 70 (FM, USA)

Materials

Housing : Chrome free coated aluminum (< 0.5 % magnesium)

Electrical

Power supply : Intrinsically safe from SmartRadar FlexLine

Transmission

Type : RS-485 physical layer Enraf SmartView protocol

Cabling (i.s.) : Two twisted pair shielded, $R_{\max} = 5 \Omega / \text{line}$, $C_{\max} = 1,27 \mu\text{F}$, $L_{\max} = 800 \mu\text{H}$

Options

Mounting brackets : For railing 1 1/2", 2" or 3"

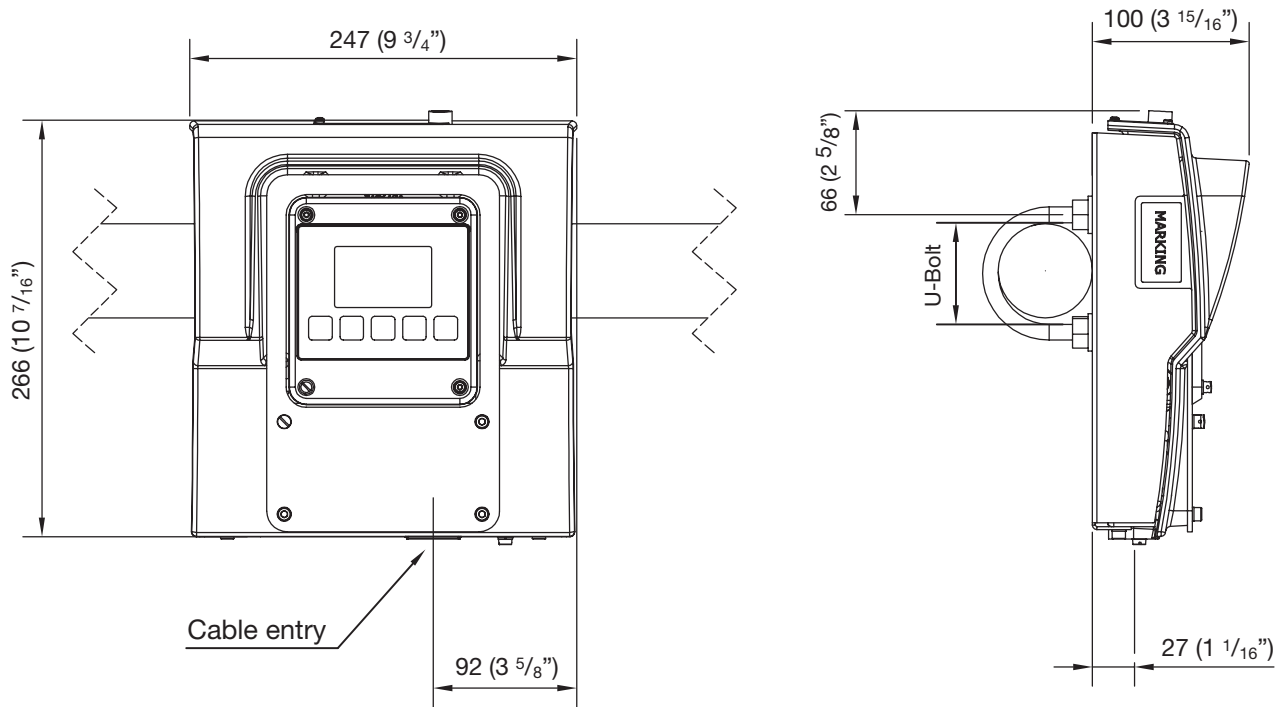
Identification code

Pos 1 Device selection	
V	Stand alone SmartView
P	Portable SmartView (for local Commissioning) (only if Pos 4=N)
Pos 2 Sealing	
G	Without sealing facilities
X	With local W&M approval and verification (specify National Metrology Institute) (only if Pos 1=V)
Pos 3 Display	
D	Standard data display
Pos 4 Mounting position	
W	Wall mounting
A	Mounting on railing with 1 1/2 " bracket
B	Mounting on railing with 2" bracket
C	Mounting on railing with 3" bracket
N	No mounting (only if Pos 1 = P)
Pos 5 Safety approvals	
A	ATEX / IEC Ex Europe
F	FM USA
C	CSA Canada
I	INMETRO Brazil
Pos 6 Cable entry	
S	M20
C	3/4" NPT
N	No cable entry (only if Pos 1=P)
Pos 7 Position not used	
*	
Pos 8 Seperator	
/	
Pos 9 Tag Plate	
Z	No tag plate
T	Tag plate (Material: CuNi alby)

V	G	D	W	A	S	*	/	Z
		D				*	/	

Typical identification code
Your identification code

Dimensional drawing



Cable Entry	Identification code Pos. 6
M20 x 1.5 Standard	S
3/4" NPT via adapter	C

U-Bolt size	Identification code Pos. 4
1 1/2"	A
2"	B
3"	C

Dimensions in mm (inches)

For More Information

To learn more about Honeywell Enraf's solutions, contact your Honeywell Enraf account manager or visit www.honeywellenraf.com

Americas

Honeywell Enraf Americas, Inc.
2000 Northfield Ct.
Roswell, GA 30076
USA
Phone: +1 770 475 1900
Email: enraf-us@honeywell.com

Asia Pacific

Honeywell Pte Ltd.
17 Changi Business Park Central 1
Singapore 486073
Phone: +65 6355 2828
Email: enraf-sg@honeywell.com

Europe, Middle East and Africa

Honeywell Enraf
Delftechpark 39
2628 XJ Delft
The Netherlands
Phone: +31 (0)15 2701 100
Email: enraf-nl@honeywell.com

EN-09-09-ENG_Rev.2
April 2012
© 2012 Honeywell International Inc.

Honeywell Enraf